

CARRYBOY[®]

The Name of Quality and Design.

S-560

Side Sliding Windows

ALL NEW

MARUBA ZONDA

MAZDA

BT-50 PRO



S0 SERIES

Side Lift Up Windows



SEEN THE REST, NOW GET THE BEST.



CMZTD-S560 Double Cab.
CMZTC-S560 Extended Cab.
CMZTL-S560 Single Cab.

- All glass is curved, tempered and tinted, providing extra security whilst keeping your cargo area cooler in summer.
- The rear door contours around the tail gate for optimum fit and is "Slam Action" operated, shutting like a car door.
- Side sliding windows with external locks and a single key operates all access points allowing convenient entry to the cargo area.
- Standard stylish roof rails with a rated load of 85 kgs. Standard features also include a rear spoiler with high mount L.E.D. brake light, full interior carpet lining with an L.E.D. interior light.
- Painted in two pack, smooth finish canopy with styling design of the vehicle.
- 3 year warranty on the paint work and structural integrity.
- 12 months warranty on the moving parts excluding glass.

Same features apply to extended cab and single cab.

S-560

SIDE SLIDING WINDOWS



SO SERIES



Rear Door handle



Side Glass handle

CMZTD-SO : Side Lift Up Windows Canopy With Tinted Glass, Carpet Lining, Spoiler With L.E.D. Light (1 key operation for 3 locks)



- All glass is curved, tempered and tinted, providing extra security whilst keeping your cargo area cooler in summer.
- The rear door contours around the tail gate for optimum fit and is "Slam Action" operated, shutting like a car door.
- New side Lift-Up windows with central lock are "Slam Action." A single key operates all access points allowing convenient entry to the cargo area.
- Introduction of a "Rotary Lock System" in stainless steel for Lift Up Side windows and rear door that improves security and simplifies operation. All hinges are stainless steel for longer life.
- Standard stylish roof rails with a rated load of 85 kgs. Standard features also include a rear spoiler with high mount L.E.D. brake light, full interior carpet lining with an L.E.D. interior light.
- Painted in two pack, smooth finish canopy with styling design of the vehicle.
- 3 year warranty on the paint work and structural integrity.
- 12 months warranty on the moving parts excluding glass.

TRADESMAN BODY UNIT

An ultimate solution for outdoor work station and ideal for fleet vehicles. CARRYBOY tradesman body unit is manufactured from high quality reinforced fiberglass materials for minimum weight and last long durability.



CMZTL-CSV / Single Cab



Central Locking (Optional)
Keyless remote control for easy lock and unlock.



EXTENDED CAB

CMZTC-CSV / Extended Cab



DOUBLE CAB



Stainless Steel Bumper Bars & Tail Light Covers



Aluminum Checkered Plate Floor.



Durable and Strong Rotary Lock System.



High Mounting L.E.D. Brake Light.



Stainless Steel Hinges.

CMZTD-CSV / Double Cab



Door Handle with Lock & Key



Fuel Flap with Lock & Key



WWM

WORKMAN CANOPY

A commercial and work style canopy with side fiberglass lift up doors. Interior carpet lining and temper tinted rear door glass. (1 key operation for 3 doors)



CMZTD-WM / Double Cab

DOUBLE CAB

Workman canopy



EXTRA CAB

Workman canopy



CMZTC-WM / Extended Cab



L.E.D. Interior Light with on-off switch.



Tinted Rear Door Glass with smooth pressure gas struts.



Quality Stainless Steel Hinges



Injected Door Handle with Lock and Key.



Double Layers Fiberglass Side Doors



Stainless Steel Rotary Lock and Latch System.



High Mounting L.E.D. Brake Light.

FRONT NUDGE GUARD



CE-544 A Bar Front Nudge Guard
Produced from high grade stainless steel tube
(TP 201/TP 304) Ø3" available to fit spot lamp 8 "

NEW!



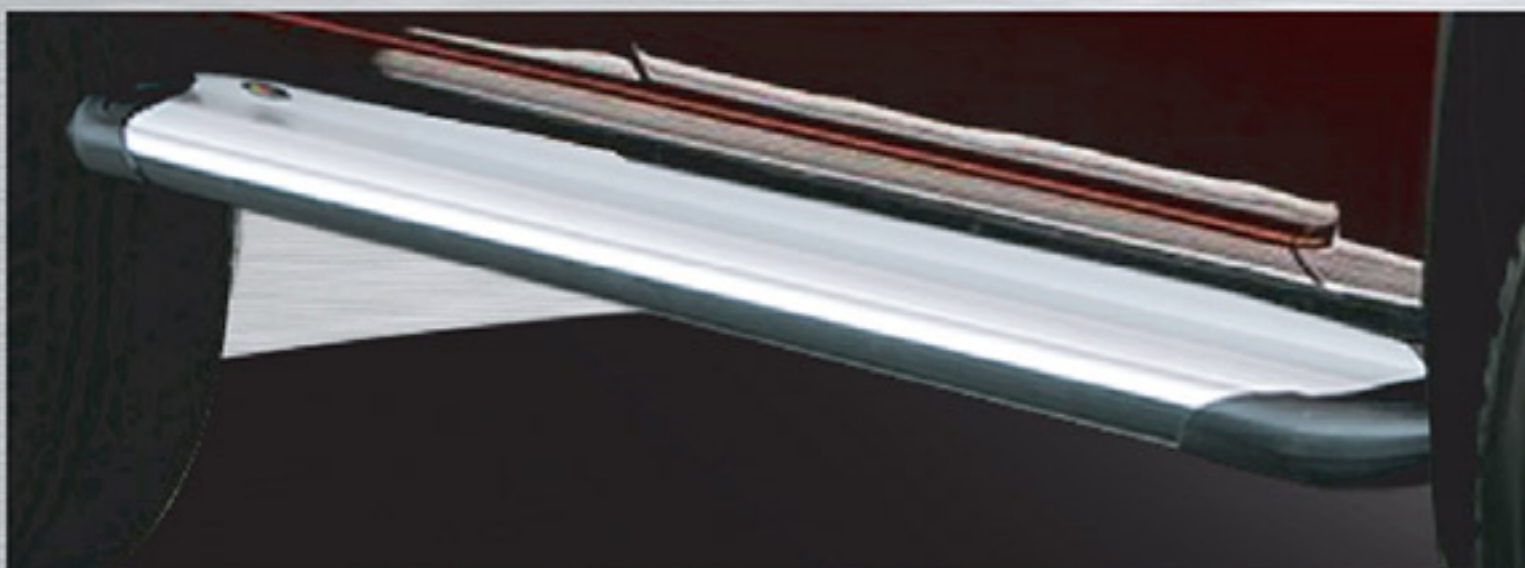
CB-709 Curve Wing Polyurethane
Produced from high grade polyurethane with
the latest full guard design to protect your
head lights with RTM skid plate.

REAR NUDGE GUARD

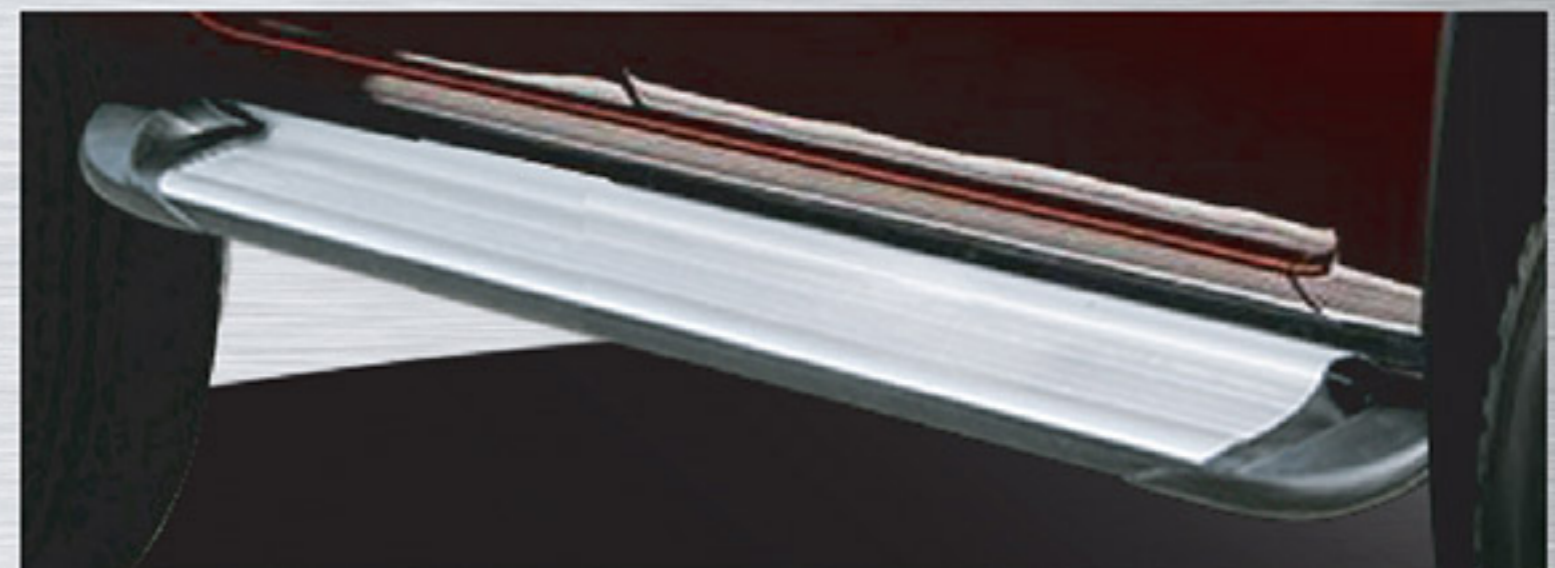
S-110 Rear Nudge Guard
Produced from high grade stainless steel or metal
chrome plate available.



SIDE STEP



CB-551 — Set Aluminium side step available
in 68", 73", 78" and 85" length.

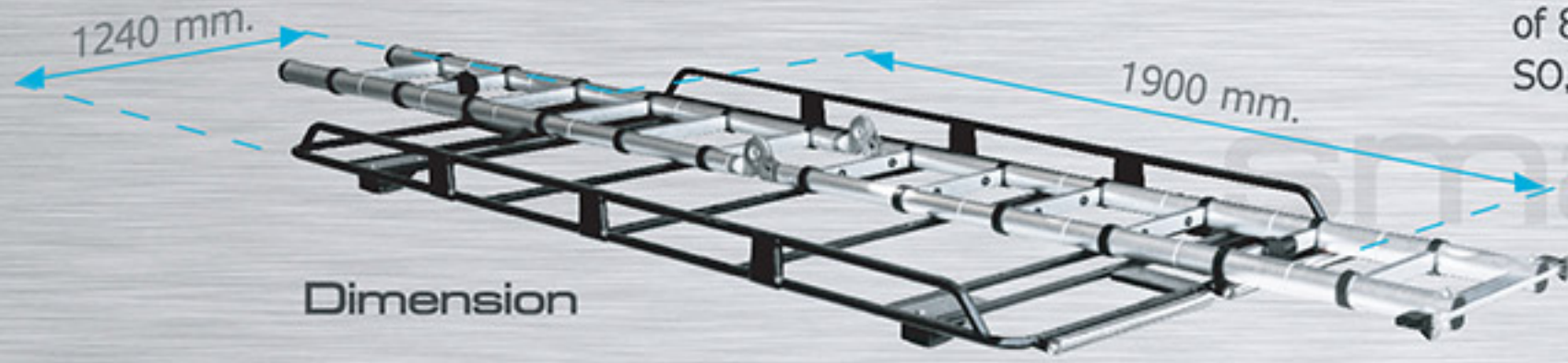


CB-554 Set Aluminium side step
available in 68", 78" and 83" length.

* 1" = 2.54cm / 3" = 7.62cm / 68" = 172.72cm
78" = 198.12cm / 83" = 210.82cm / 85" = 215.9 cm.

CB-763 TRADESMAN ROOF RACK

An ideal tradesman roof rack for loading any bulky items with maximum capacity of 80-100 kilograms. Available to fit on any CARRYBOY canopies including S560, SO, S7, WM, and CSV for double cab, extended cab and single cab.



Dimension

NEW!



OTHER



CB-550 Aerodynamic Sport Tray
The latest aerodynamic design follows the contour of the vehicle. (Size 100x100, 100x120, 100x160, 113x130 and 100x140 cm.)



Front Window Mesh Screen



Air Ventilator



Side Window Mesh Screen

CE-954 Bonnet Protection
Premium grade acrylic plastic designed exclusively on each model.



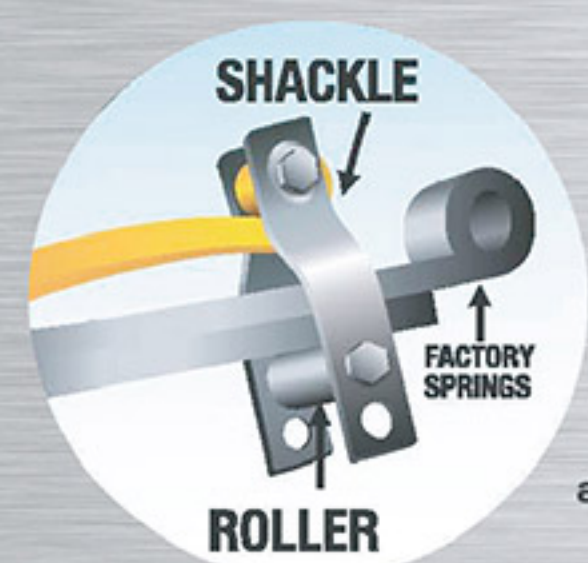
CB-920 Ute Liner

CE-701 Door Visor
Premium grade acrylic plastic designed exclusively on each model.



by CARRYBOY AUSTRALIA PTY., LTD.

Heavy load you need Super Springs
The best anti-sway suspension and load stabilisers on the market today.



Suitable for ute, Vans, 4WD Wagon and most leaf-sprung vehicles.

100,000
VEHICLES FITTED WORLD WIDE



Heavy load?
You need
Super Springs



GRX

GRX-CMZTD / Double Cab



SX

Sport lid is produced from premium grade fibreglass, easy installation, and all stainless steel components.



SX-CMZTD/ Double Cab
SX-CMZTC/ Extended Cab

FULL BOX

CB-762



Sporty and aerodynamic design to suit vehicle proven for fuel saving. (All stainless components)



Best Dress-Up Products
Car of the Year 2004-2010



Certification
ISO 9001 : 2008



Certification
TUV from Germany

* The designs have been patented with the intellectual Property Department.
** The standard and optional features / Equipment are subject to change without prior notice.

Exported to More Than 150 Countries Worldwide

CARRYBOY AUSTRALIA PTY. , LTD. / www.carryboy.com.au / 1300 655 799